

Ø 350 x 158 mm

ETRI®

AC High Performance Fans

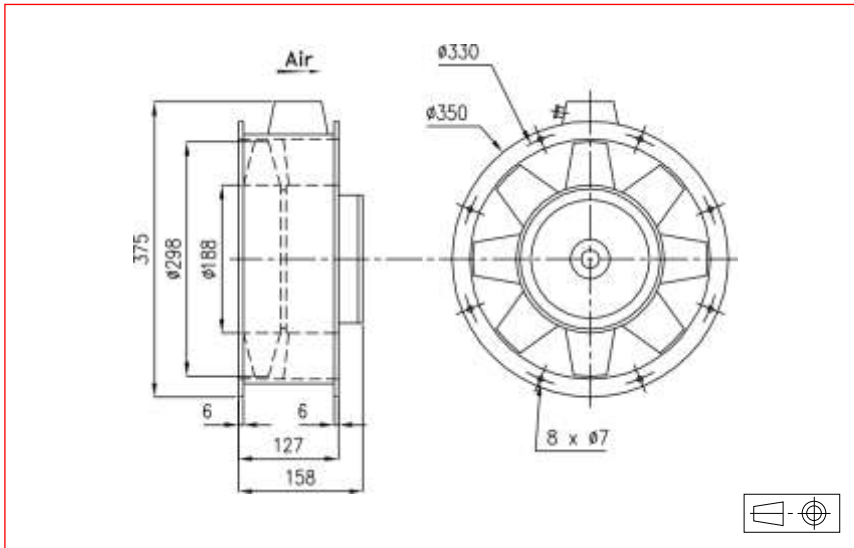


Approvals

NATO codification

Life expectancy

L-10 LIFE AT 40°C:
25 000 hours

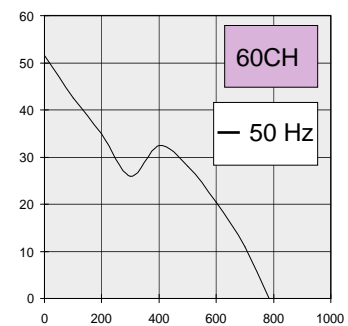
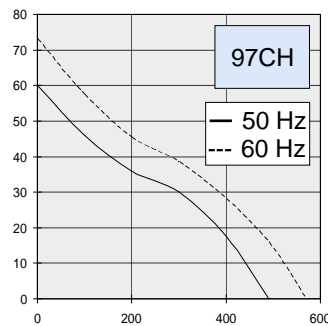
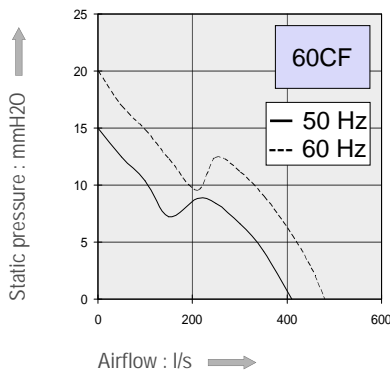


AC Motor

Housing material : aluminium
Impeller material : aluminium
Weight : 10,25 kg to 11 kg
Bearing system : ball bearings

Series 60 : 11 blades
Series 97 : 8 blades

Available with
- Safety switch



Part Number	Nominal voltage	Airflow	Noise level	Nominal speed	Frequency	Phases	Capacitor (not included)	Input power	Nominal Current	Starting Current	Connection type		Operating temperature	
	V										l/s	dB(A)	RPM	Hz
60CF016DC13	220	410	61	1450	50	3		64	370	2000	X	X	-10	70
	380	410	61	1450	50	3		64	210	1150	X	X	-10	70
	220	480	65	1700	60	3		83	330	1800	X	X	-10	70
	380	480	65	1700	60	3		83	190	1050	X	X	-10	70
	220	410	61	1450	50	1	6,9	67	320	1700	X	X	-10	70
	380	410	61	1450	50	1	2,2	67	190	980	X	X	-10	70
97CH016DC13	220	480	65	1700	60	1	6,9	102	470	1600	X	X	-10	70
	380	480	65	1700	60	1	2,2	102	270	930	X	X	-10	70
	220	490	73	2850	50	3		136	490	3300	X	X	-10	70
	380	490	73	2850	50	3		136	280	1900	X	X	-10	70
	220	570	76	3300	60	3		198	600	2800	X	X	-10	70
	380	570	76	3300	60	3		198	350	1500	X	X	-10	70
60CH016DC13	220	780	79	2700	50	3		406	1500	6300	X	X	-10	70
	380	780	79	2700	50	3		406	870	3600	X	X	-10	70
	220	775	79	2700	50	1	20	400	1900	5000	X	X	-10	70
	380	775	79	2700	50	1	6,9	400	1100	3000	X	X	-10	70

Additional versions:

Salt spray protected - Shock and vibration protected - Marine specifications
Wide temperature range - Other voltages (consult factory)